

## VENTED LOOPS

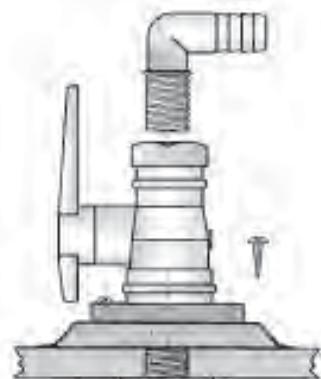
Installing one of our vented loops will ensure that fluids will not siphon from tank to tank. Vented Loops are commonly used in the marine toilet system and engine cooling system. The simple valve system incorporated in the top of the loop allows air to enter the line when not in use, yet effectively seals as water or other fluid passes through. Molded in **Marelon**, neither vent nor loop will corrode. The duckbill one way valve is designed to seal properly if particulate matter is present in fluids. The new MF846 vent barb assembly option can be used in lieu of the standard MF841 cap/duckbill. This option allows venting to the outside of the hull via a 1/4" hose.



## Y-VALVES



## TYPICAL SEACOCK INSTALLATION



| Part No. | Model No. | Barb Size          | Height | Width  |
|----------|-----------|--------------------|--------|--------|
| 903000   | MF 840    | 1-1/2"             | 5-1/4" | 7-3/4" |
| 903001   | MF 842    | 3/4"               | 4-1/2" | 3-3/4" |
| 903002   | MF 841    | Vent Cap Assembly  |        |        |
| 903003   | MF 843    | 5/8"               | 4-1/2" | 4"     |
| 903004   | MF 846    | Vent Barb Assembly |        |        |
| 903007   | MF 844    | 1"                 | 7"     | 9"     |
| 903008   | MF 845    | 1/2"               | 5-1/4" | 4-1/4" |
| 903009   | MF 847    | 1-1/8"             | 7"     | 9"     |

| Part No. | Model No.                          | Barb Size |
|----------|------------------------------------|-----------|
| 902000   | MF 852                             | 1-1/2"    |
| 902001   | MF 853                             | 1"        |
| 902006   | Y-Valve Parts Kit (fits all sizes) |           |
| 902007   | MF 854                             | 3/4"      |
| 902008   | MF 855                             | 1-1/8"    |

| Part No. | Seacock Model No. | Thread Size | Height | Height w/Handle | Base |
|----------|-------------------|-------------|--------|-----------------|------|
| 904009   | MF 849 1/2        | 1/2"        | 3"     | 4"              | 3"   |
| 904010   | MF 849 3/4        | 3/4"        | 3"     | 4"              | 3"   |
| 904011   | MF 849 1-1/2      | 1-1/2"      | 5"     | 8"              | 6"   |

## MARELON COMPARISON CHART

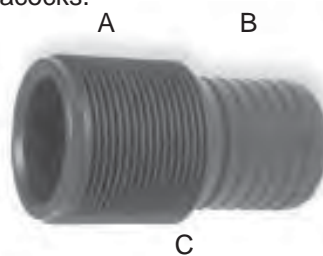
|               | U.V. Degredation | Corrosion Resistance | Abrasion Resistance | Tensile Strength** | Flexural Modulus*** | ABYC * Requirement | U.L. * Requirement | Total Score |
|---------------|------------------|----------------------|---------------------|--------------------|---------------------|--------------------|--------------------|-------------|
| MARELON       | 10               | 10                   | 10                  | 27,000psi 10       | 1,300,000mPa 10     | 10                 | 10                 | 60          |
| BRONZE        | 10               | 4                    | 10                  | 35,000psi 10       | 15,000,000mPa 10    | 10                 | 10                 | 54          |
| BRASS         | 10               | 0                    | 10                  | 45,000psi 10       | 11,000,00mPa 10     | 0                  | 0                  | 40          |
| NYLON 101     | 6                | 10                   | 5                   | 12,000psi 10       | 410,000mPa 4        | 0                  | 0                  | 35          |
| POLYPROPYLENE | 8                | 10                   | 7                   | 4150psi 2          | 75,000mPa 2         | 0                  | 0                  | 29          |
| ACETAL        | 5                | 10                   | 6                   | 10,000psi 5        | 450,000mPa 5        | 0                  | 0                  | 31          |
| PVC           | 3                | 10                   | 2                   | 5015psi 3          | 434,000mPa 3        | 0                  | 0                  | 21          |

Marelon® is a registered trademark of Forespar Products Corp.  
 \* Minimum physical properties required for approval are:  
 Tensile strength 10,900psi 75mPa  
 Flexural modulus 500,000psi 3480mPa

\*\* Value by test to ASTM D638 (American Society of Testing & Materials)  
 \*\*\* Value by test to ASTM D790 (American Society of Testing & Materials)

## TAILPIPES / HOSE CONNECTORS

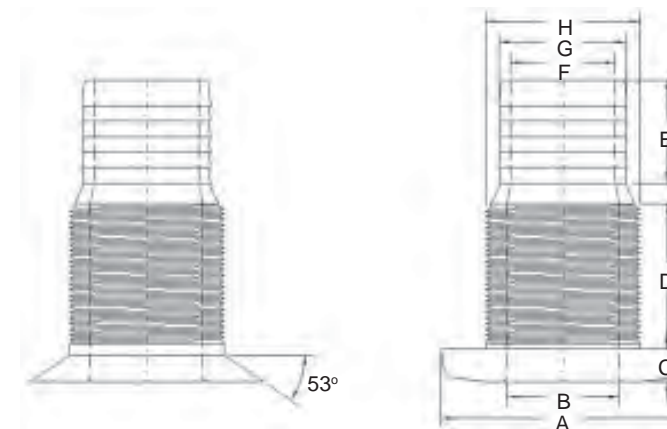
Our Tailpipes are also made from high-strength glass-reinforced **Marelon**. Perfect choice for joining hose lines to **Forespar** Ball Valves and Seacocks.



| Part No. | Model No.    | Thread Size | Tailpipe Dia. | A        | B       | C      |
|----------|--------------|-------------|---------------|----------|---------|--------|
| 905006   | CF 252 1/2   | 1/2"        | 5/8"          | 1"       | 1"      | 2-1/4" |
| 905007   | CF 252 3/4   | 3/4"        | 3/4"          | 1"       | 1"      | 2-3/8" |
| 905008   | CF 252 1     | 1"          | 1"            | 1-1/2"   | 1-1/16" | 2-7/8" |
| 905009   | CF 252 1-1/4 | 1-1/4"      | 1-1/4"        | 1-5/8"   | 1-1/4"  | 3-1/4" |
| 905010   | CF 252 1-1/2 | 1-1/2"      | 1-7/16"       | 1-7/16"  | 1-1/8"  | 2-5/8" |
| 905011   | CF 252 2     | 2"          | 2"            | 1-11/16" | 1-1/4"  | 3-1/4" |



## THRU-HULL CONNECTORS



| SERIES | SIZE   | A     | B     | C    | D     | E     | F     | G     | H     |
|--------|--------|-------|-------|------|-------|-------|-------|-------|-------|
| 250    | 1/2"   | 2.375 | .430  | .325 | 2.000 | N/A   | N/A   | N/A   | .810  |
|        | 3/4"   | 2.430 | .665  | .320 | 2.250 | N/A   | N/A   | N/A   | 1.015 |
|        | 1"     | 2.835 | .875  | .320 | 2.375 | N/A   | N/A   | N/A   | 1.285 |
|        | 1-1/4" | 2.820 | 1.115 | .325 | 3.000 | N/A   | N/A   | N/A   | 1.635 |
|        | 1-1/2" | 2.810 | 1.380 | .320 | 3.000 | N/A   | N/A   | N/A   | 1.850 |
| 251    | 1/2"   | 1.500 | .448  | .256 | 2.125 | N/A   | N/A   | N/A   | .810  |
|        | 3/4"   | 2.084 | .690  | .335 | 3.093 | N/A   | N/A   | N/A   | 1.028 |
|        | 1"     | 2.345 | .880  | .288 | 2.400 | N/A   | N/A   | N/A   | 1.282 |
|        | 1-1/4" | 2.650 | 1.110 | .345 | 2.950 | N/A   | N/A   | N/A   | 1.615 |
| 253    | 1/2"   | 1.506 | .505  | .265 | 1.490 | .975  | .439  | .657  | .812  |
|        | 3/4"   | 2.100 | .670  | .325 | 1.677 | 1.028 | .535  | .770  | 1.015 |
|        | 1"     | 2.350 | .958  | .295 | 1.695 | 1.085 | .797  | 1.015 | 1.280 |
|        | 1-1/4" | 2.675 | 1.194 | .327 | 1.818 | 1.280 | 1.021 | 1.273 | 1.615 |
|        | 1-1/2" | 2.933 | 1.350 | .345 | 1.875 | 1.280 | 1.258 | 1.530 | 1.850 |
| 254    | 2"     | 3.511 | 1.842 | .375 | 1.875 | 1.350 | 1.610 | 2.018 | 2.320 |
|        | 1-1/4" | 2.805 | 1.164 | .316 | 1.500 | 1.280 | .945  | 1.260 | 1.615 |
|        | 1-1/2" | 2.805 | 1.406 | .316 | 1.500 | 1.280 | 1.115 | 1.475 | 1.850 |
|        | 2"     | 3.525 | 1.672 | .325 | 1.500 | 1.300 | 1.480 | 2.018 | 2.320 |

## IMPORTANT DATA

### THREADS

**Marelon** plumbing fittings have NPT parallel threads. The threads can be sealed with Teflon® tape or plumber's dope. **Marelon** can be used with any marine grade sealant or bedding compound, using the same techniques as with bronze fittings. Bronze and **Marelon** fittings can be fitted together. Caution not to cross thread.

### TEMPERATURE RANGE

**Marelon** has an excellent operating temperature range from -40° to +176° Fahrenheit.

### MAINTENANCE

Maintenance is simple. Simply activate the valves on a regular basis and lubricate with winch grease, Lanacote®, or water pump grease twice a year. **Marelon** is UV stabilized and will not deteriorate in sunlight.

- **CORROSION RESISTANT**
- **HIGH STRENGTH**
- **EXCEEDS MARINE UL/ABYC**
- **CHOICE OF THE WORLD'S TOP BUILDERS**

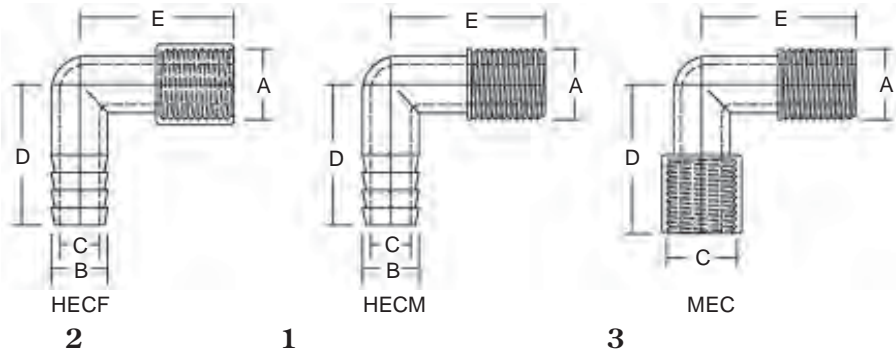


# MARELON® is the marine-grade polymer plumbing system

Check our website at [www.deckhardware.com.au](http://www.deckhardware.com.au)

## ELBOWS

Molded from high-strength **Marelon®**.  
Dimension 'A' indicates pipe thread size.



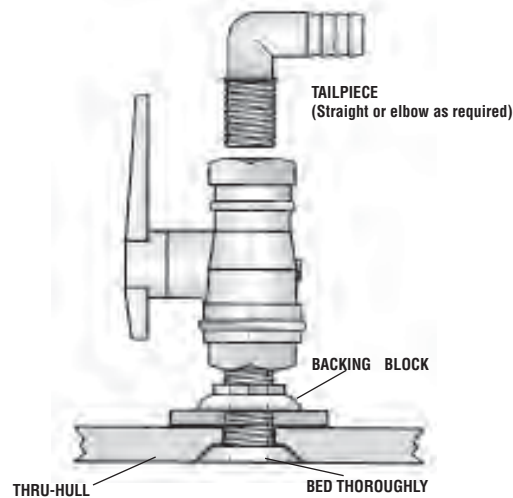
| Part No. | Model No. | A      | B      | C       | D       | E       |
|----------|-----------|--------|--------|---------|---------|---------|
| 901000   | HECM 8    | 1/2"   | 5/8"   | 7/16"   | 2"      | 1-1/2"  |
| 901001   | HECM 12   | 3/4"   | 3/4"   | 1/2"    | 2-1/8"  | 1-5/8"  |
| 901002   | HECM 16   | 1"     | 1"     | 5/8"    | 2-1/2"  | 1-7/8"  |
| 901003   | HECM 20   | 1-1/4" | 1-1/4" | 7/8"    | 2-3/4"  | 2-5/16" |
| 901004   | HECM 24   | 1-1/2" | 1-1/2" | 1-1/16" | 3-1/4"  | 2-3/4"  |
| 901005   | HECM 32   | 2"     | 2"     | 1-1/2"  | 3-5/8"  | 3-1/4"  |
| 901006   | HECF 8    | 1/2"   | 5/8"   | 7/16"   | 2"      | 1-5/8"  |
| 901007   | HECF 12   | 3/4"   | 3/4"   | 9/16"   | 2-3/16" | 1-3/4"  |
| 901008   | HECF 16   | 1"     | 1"     | 5/8"    | 2-1/2"  | 1-7/8"  |
| 901009   | HECF 20   | 1-1/4" | 1-1/4" | 7/8"    | 2-3/4"  | 2-1/2"  |
| 901010   | HECF 24   | 1-1/2" | 1-1/2" | 1-1/8"  | 3-1/8"  | 2-3/4"  |
| 901011   | HECF 32   | 2"     | 2"     | 1-9/16" | 3-5/8"  | 3-1/4"  |
| 920207   | MEC 8     | 1/2"   |        | 1/2"    | 1-5/16" | 1-7/16" |
| 920336   | MEC 12    | 3/4"   |        | 3/4"    | 1-5/8"  | 1-5/8"  |

## FEMALE THREADED BARBED HOSE FITTING

This fitting is also made of high strength glass-reinforced **Marelon®**.



| Part No. | Model No.                      |
|----------|--------------------------------|
| 901014   | 1/2" FPT to 1/2" HOSE BARB     |
| 901015   | 3/4" FPT to 3/4" HOSE BARB     |
| 905012   | 1-1/2" FPT to 3/4" HOSE BARB   |
| 905013   | 1-1/2" FPT to 1" HOSE BARB     |
| 905015   | 1-1/2" FPT to 1-1/8" HOSE BARB |
| 905014   | 1-1/2" FPT to 1-1/2" HOSE BARB |



| Part No. | Model No.      | Thread Size | Body Dia. | Body Length | Length w/Handle |
|----------|----------------|-------------|-----------|-------------|-----------------|
| 905100   | MF 850 1/2"    | 1/2"        | 1-7/8"    | 3"          | 4"              |
| 905101   | MF 850 3/4"    | 3/4"        | 1-7/8"    | 3"          | 4"              |
| 905102   | MF 850 1"      | 1"          | 2-3/4"    | 4-3/4"      | 5-1/2"          |
| 905103   | MF 850 1"-1/4" | 1-1/4"      | 2-3/4"    | 4-7/8"      | 5-3/4"          |
| 905104   | MF 850 1"-1/2" | 1-1/2"      | 3-1/2"    | 5"          | 7-1/2"          |
| 905105   | MF 850 2"      | 2"          | 4-1/4"    | 5-7/8"      | 8"              |

## WATER STRAINER REDUCERS/ADAPTERS



| Part No. | Model No. | Thread                   |
|----------|-----------|--------------------------|
| 901045   | FTC 8     | 1/2" female              |
| 901046   | FTC 12    | 3/4" female              |
| 901042   | FTC 16    | 1" female                |
| 901044   | FTC 20    | 1-1/4" female            |
| 901043   | FTC 24    | 1-1/2" female            |
| 901041   | FTC 32    | 2" female                |
| 901040   | MTC 12-8  | 3/4"-1/2" male           |
| 901050   | MTC 12-12 | 3/4"-3/4" male           |
| 901051   | MTC 16-12 | 1"-3/4" male             |
| 901047   | MTC 24-16 | 1-1/2"-1" male           |
| 901048   | MTC 24-20 | 1-1/2"-1-1/4" male       |
| 901049   | MTC 24-24 | 1-1/2"-1-1/2" male       |
| 910062   | RB 24-16  | 1-1/2" male- 1" female   |
| 910063   | RB 24-12  | 1-1/2" male -3/4" female |

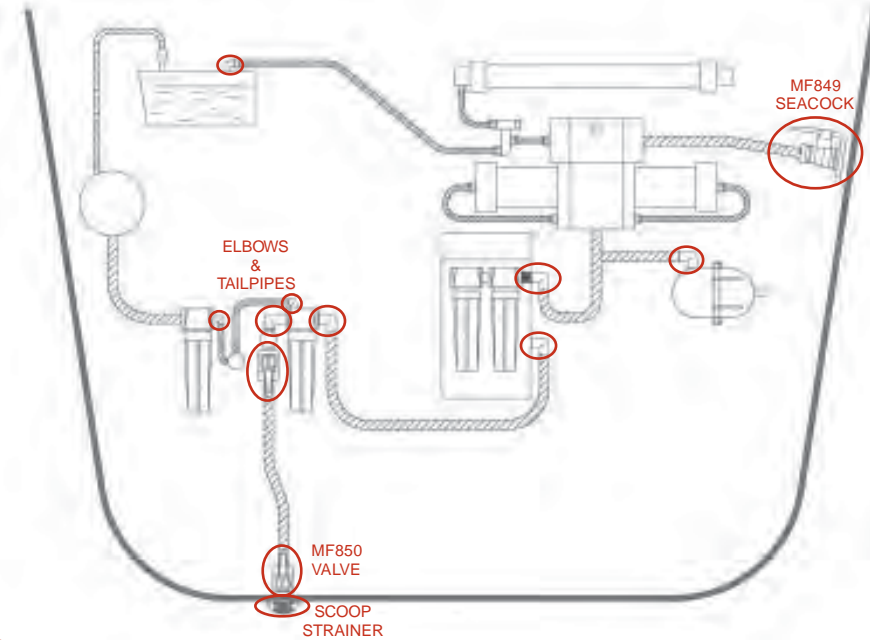
## WATER STRAINER

This water strainer is made of **Marelon®** (same material as our valves). It features a new universal mounting bracket and clear polycarbonate lid for ready inspection. The **stainless steel strainer basket** can be easily removed for cleaning. Intake and exit ports are 1-1/2" ANP threads standard. Reducers for 3/4" I.D. hose are available separately. Diameter: 6.3" Height: 6.1". The flow rate is 40 GPM with 1-1/2" ports.

The new mounting bracket allows the strainer exit port to be positioned in the proper direction by simply loosening the bracket clamp and rotating the entire housing. This will allow the OEM or aftermarket customer greater flexibility in installation.



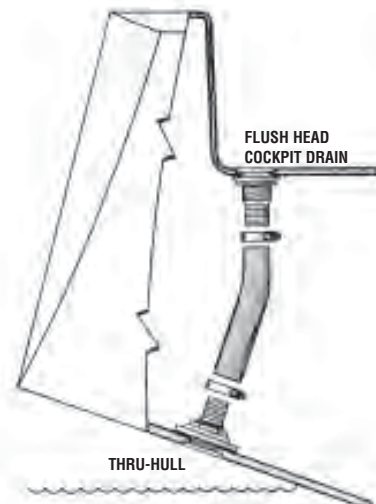
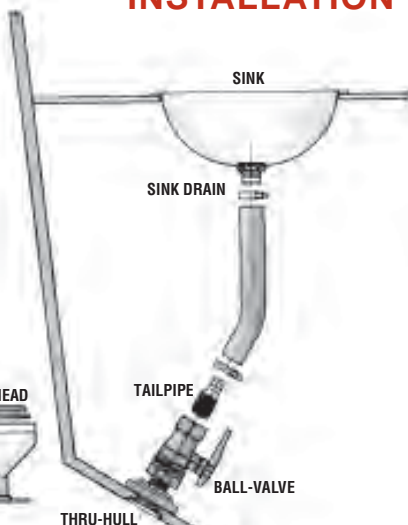
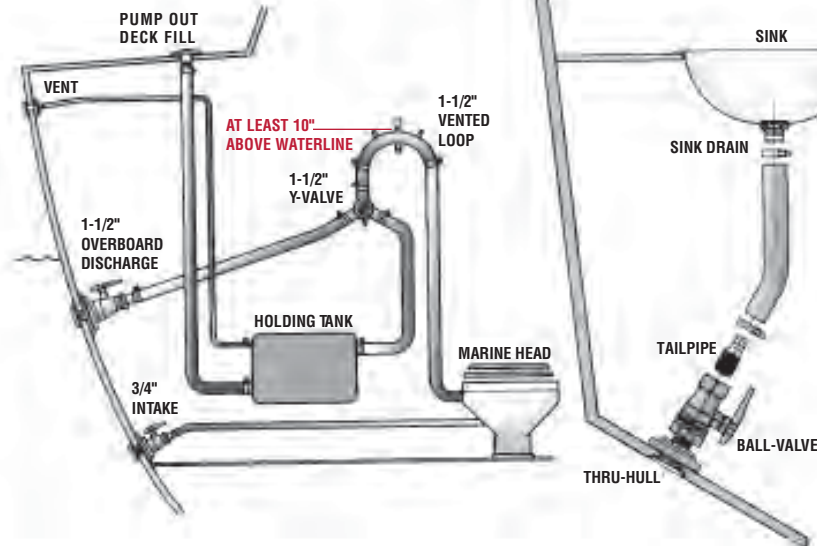
| Part No. | Model No./Description |
|----------|-----------------------|
| 906066   | MF 810 Water Strainer |
| 906067   | MF 811 Gasket Set     |
| 906065   | s/s Basket only       |
| 920178   | Cover only            |



## TYPICAL HEAD INSTALLATION

## SINK DRAIN INSTALLATION

## COCKPIT DRAIN INSTALLATION



NOTE:  
IF A THRU-HULL IS TO BE INSTALLED LESS THAN 6" ABOVE WATERLINE, A BALL-VALVE OR SEACOCK MUST ALSO BE USED.

## MARELON® IS...

Marelon® is the only synthetic material to be approved by the Marine U.L. (Underwriters Laboratories) for use below the waterline and has passed the same stringent tests as bronze. It exceeds the ISO standards and is approved by the A.B.Y.C. (American Boat and Yacht Council). Marelon® plumbing systems are corrosion and electrolysis resistant and will not freeze or become brittle with age or temperature extremes. Marelon® is the choice of top quality boat builders worldwide.

# Ask for Marelon®